

NEW

NTS805 FOR CONCRETE

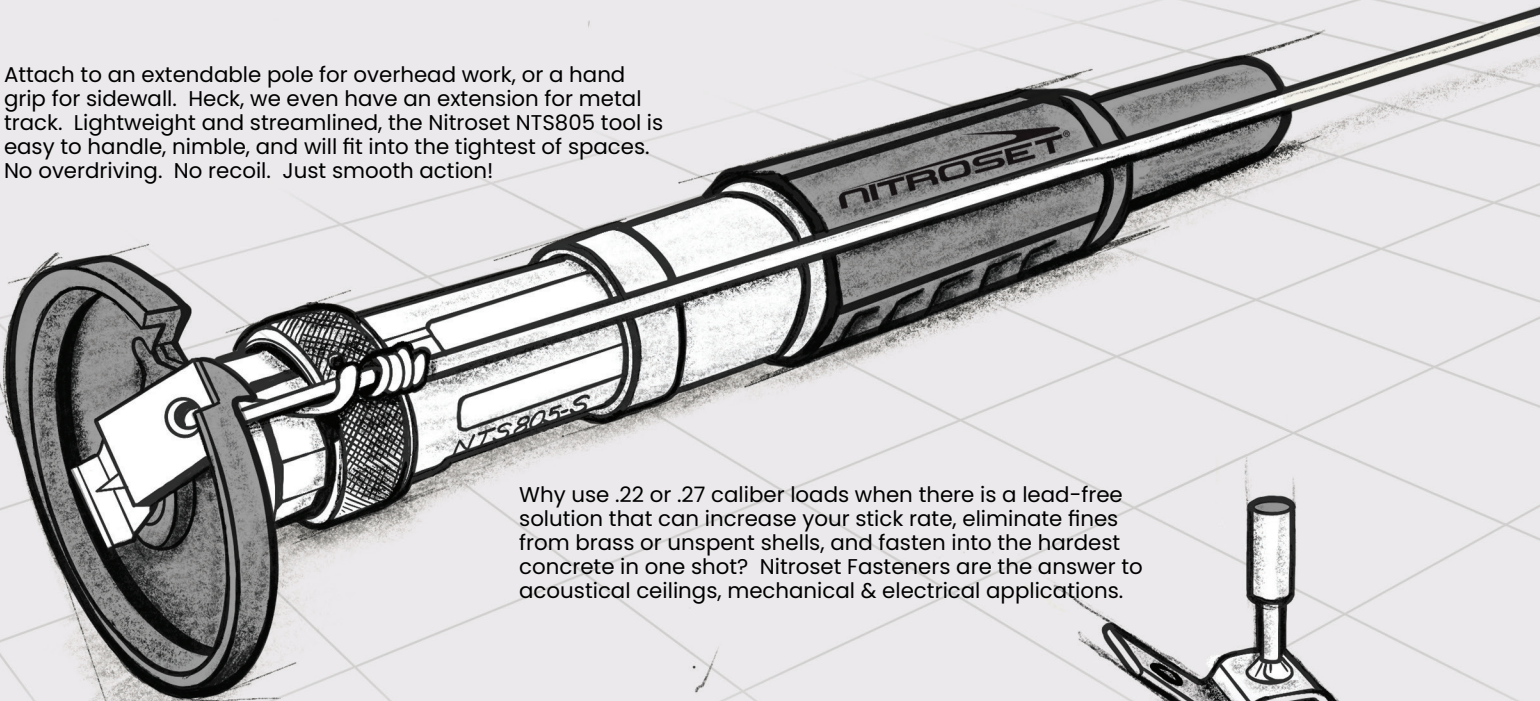
NITROSET®

THE NEXT GENERATION OF LEAD-FREE FASTENING INTO CONCRETE IS HERE.

NTS805

- ✓ Acoustical Ceilings
- ✓ Mechanical & Electrical

Attach to an extendable pole for overhead work, or a hand grip for sidewall. Heck, we even have an extension for metal track. Lightweight and streamlined, the Nitroset NTS805 tool is easy to handle, nimble, and will fit into the tightest of spaces. No overdriving. No recoil. Just smooth action!



Why use .22 or .27 caliber loads when there is a lead-free solution that can increase your stick rate, eliminate fines from brass or unspent shells, and fasten into the hardest concrete in one shot? Nitroset Fasteners are the answer to acoustical ceilings, mechanical & electrical applications.



Book a Nitroset Demo!

Hanging ceiling wire or attaching fixtures into concrete? Book a demo and put Nitroset to the test. Witness its remarkable adhesion power and user-friendly application process. Say goodbye to drilling with your current nailing system – it's time to upgrade to a lead-free solution that will exceed your expectations. Nitroset's advanced technology opens up new possibilities for even the most restrictive projects. With just one shot Nitroset securely anchors into the toughest concrete surfaces. Don't miss the opportunity to see how Nitroset is changing the game! Reach out to us today and let us show you the future of fastening technology!

Call: (800) 524-4649

Email: sales@nitroset.com

NEW FEATURES.
SAME GREAT STICK RATE.

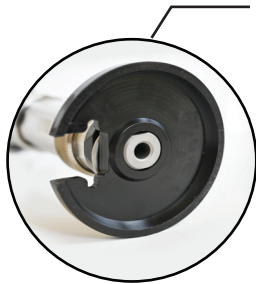


NTS805



Save time, tools,
and materials while
eliminating lead
restrictions.

The NTS805 utilizes Nitroset Solid Propellant Lead-Free Fasteners to penetrate and fasten into hard, high-psi concrete in one shot. No pre-drilling. No complicated selection of power loads. No lead or brass left behind. Just fast, effective and simple fastening.



Safe on users and environments.

The added Spall Guard protects the user and surrounding environment from falling debris.

New Composite Outer Sleeve with Inner Channels keeps the tool running smoothly by venting debris and reducing the chance for clogging.



New Nosepiece design keeps threads outside of the debris cup area for quick and easy removal and cleaning.

Threaded End accepts a variety of handles for overhead, sidewall, and floor applications.



**CATALOG
DOWNLOAD**

Scan to view
Catalog



**ONE TOOL
DOES IT.**



OVERHEAD



SIDEWALL



TRACK



**VIEW
WEBSITE**

Scan to visit
nitroset.com

Nitroset, LLC. Houston, TX 77036 U.S.A.

(800) 524-4649

sales@nitroset.com